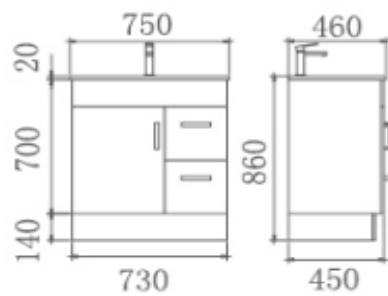


# KENO VANITY



SPECIFICATIONS

**ZENIMO**  
Zen-inspired, Modern Living

**ADDRESS:** 42 Castro Way, Derrimut VIC 3026

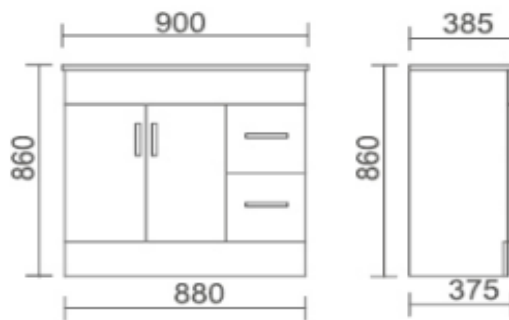
**PHONE:** (03) 8390 6300

**OFFICE:** [ect\\_sales@outlook.com](mailto:ect_sales@outlook.com)

**SERVICE:** [ect\\_service@outlook.com](mailto:ect_service@outlook.com)

**WEBSITE:** [www.zenmo.com.au](http://www.zenmo.com.au)

# FINO VANITY



SPECIFICATIONS

**ZENMO**  
Zen-inspired, Modern Living

**ADDRESS:** 42 Castro Way, Derrimut VIC 3026

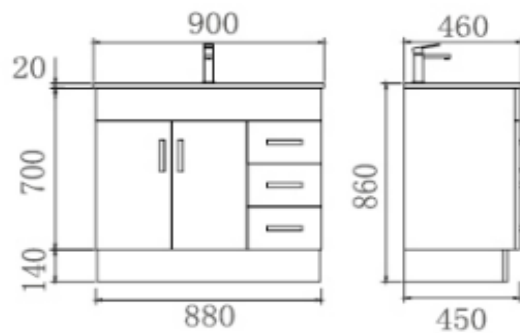
**PHONE:** (03) 8390 6300

**OFFICE:** [ect\\_sales@outlook.com](mailto:ect_sales@outlook.com)

**SERVICE:** [ect\\_service@outlook.com](mailto:ect_service@outlook.com)

**WEBSITE:** [www.zenmo.com.au](http://www.zenmo.com.au)

# NOVO VANITY



SPECIFICATIONS

**ZENMO**  
Zen-inspired, Modern Living

**ADDRESS:** 42 Castro Way, Derrimut VIC 3026

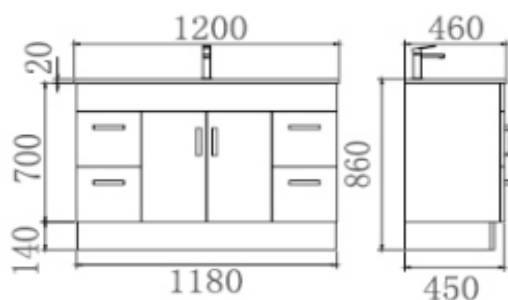
**PHONE:** (03) 8390 6300

**OFFICE:** [ect\\_sales@outlook.com](mailto:ect_sales@outlook.com)

**SERVICE:** [ect\\_service@outlook.com](mailto:ect_service@outlook.com)

**WEBSITE:** [www.zenmo.com.au](http://www.zenmo.com.au)

# NOVO/FINO VANITY



Available with Stone Top or Ceramic Top (1500mm is Polymarble)

Above Counter Basin Options only when choosing Stone Top

#### WARRANTY INFORMATION:

Cabinet Structure - **5 Years**

Ceramic Tops - **15 Years**

Stone Tops - **5 Years**

Hardware and Labour - **1 year**

#### CLEANING & MAINTENANCE:

Vanities must be cleaned with a soft cloth. Avoid waxes, solvents, abrasives, acids and other chemical based cleaners. Warranty will be void if damages are caused by unsuitable cleaning products.

**ADDRESS:** 42 Castro Way, Derrimut VIC 3026

**PHONE:** (03) 8390 6300

**OFFICE:** [ect\\_sales@outlook.com](mailto:ect_sales@outlook.com)

**SERVICE:** [ect\\_service@outlook.com](mailto:ect_service@outlook.com)

**WEBSITE:** [www.zenmo.com.au](http://www.zenmo.com.au)

**ZENMO**  
Zen-inspired, Modern Living

SPECIFICATIONS